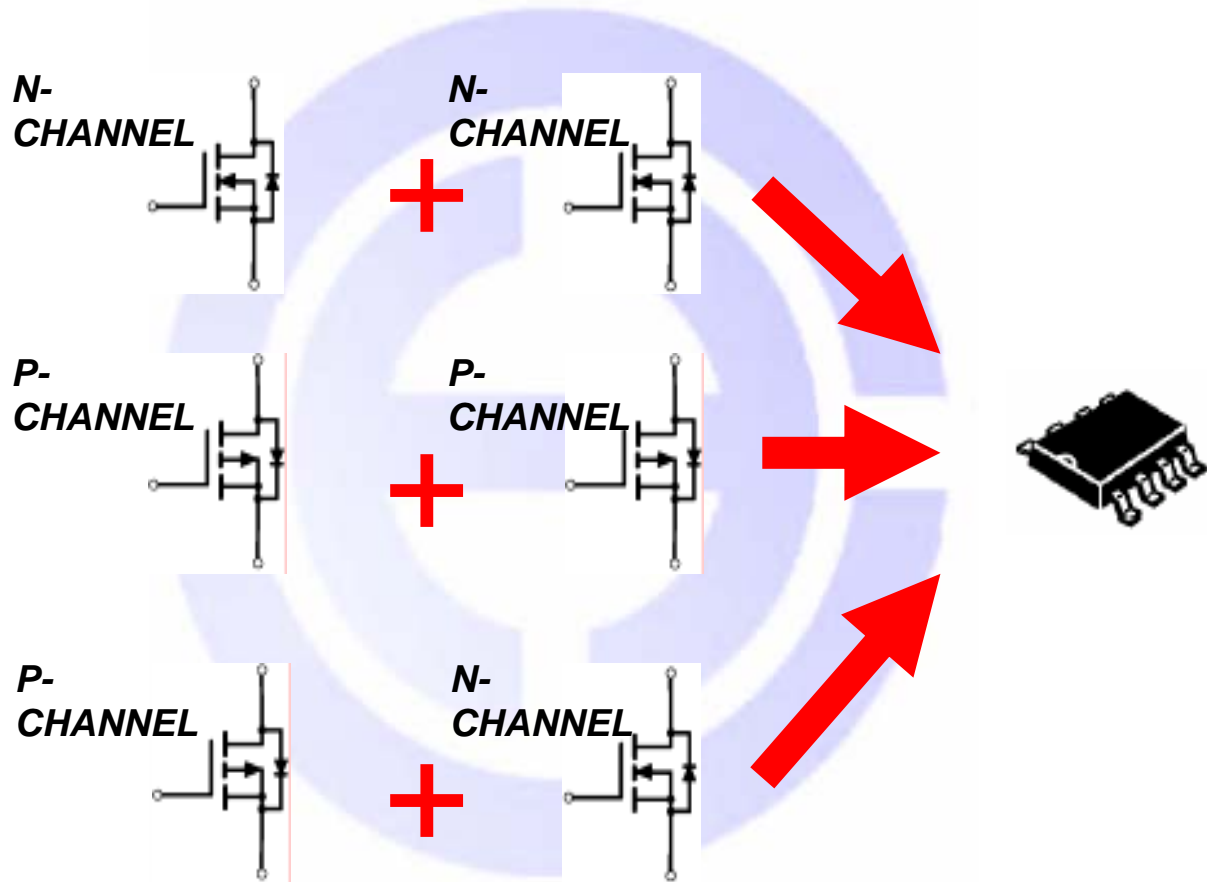
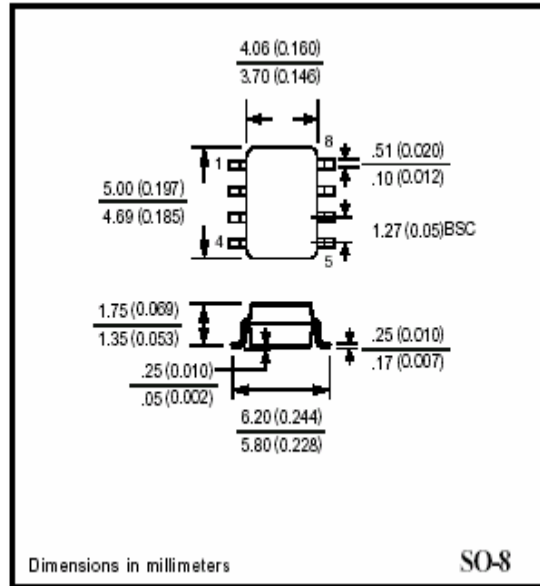


SO-8封装场效应晶体管产品介绍

# SO-8包裝場效電晶體產品介紹



## SO-8包裝場效電晶體產品介紹



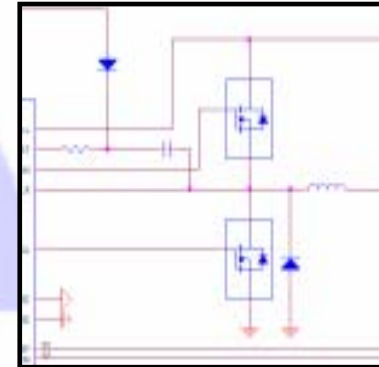
### APPLICATION

- ◆ Servo Motor Control
- ◆ Power Management Switch
- ◆ DC to DC Converter

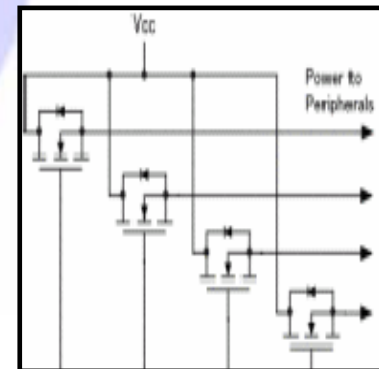
### FEATURE

- ◆ Super high dense cell design for extremely low RDS(ON)
- ◆ Lead free product is acquired
- ◆ High power and current handling capability
- ◆ Two Chip on one package

### DC/DC應用線路



### 電源應用線路

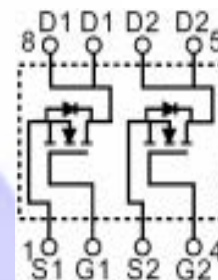


# SO-8包裝場效電晶體產品介紹

## ◆ N-CHANNEL

$I_D : 3500 \sim 9000\text{mA}$

$V_{DSS} : 20 \sim 60\text{V}$

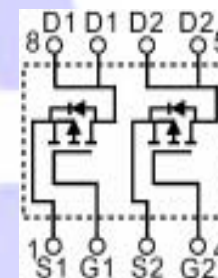


N-CHANNEL  
產品內部配置圖

## P-CHANNEL

$I_D : 3100 \sim 7200\text{mA}$

$V_{DSS} : 20 \sim 60\text{V}$

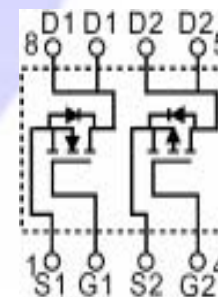


P-CHANNEL  
產品內部配置圖

## N-CHANNEL+P-CHANNEL

$I_D : 2900 \sim 7500\text{mA}$

$V_{DSS} : 20 \sim 60\text{V}$



P+N-CHANNEL  
產品內部配置圖